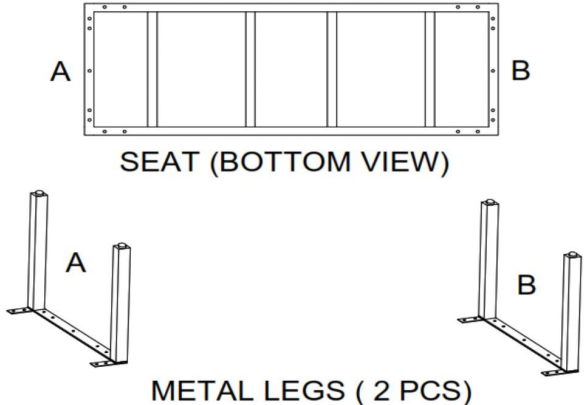


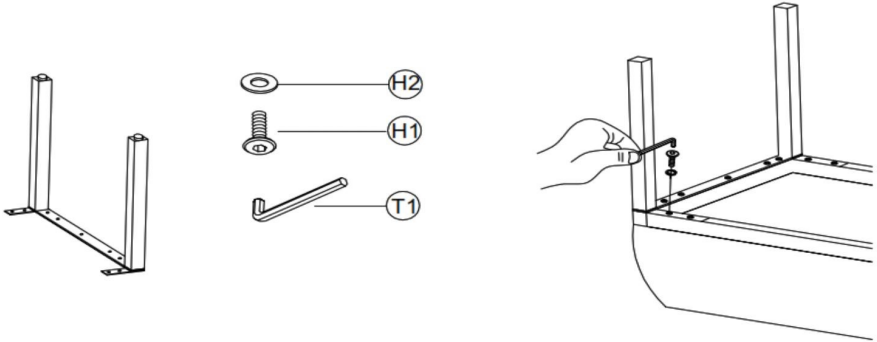
ASSEMBLY INSTRUCTIONS

METAL LEGS BENCH

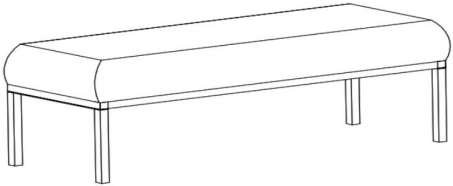
PART OF PRODUCT



HOW TO ASSEMBLE



ASSEMBLED PRODUCT



Dimension	47" W x 16" D x 18"H
Material	Upholstered, Metal Legs
Remark	

HARDWARE

SR NO.	DESCRIPTION	SKETCH	QTY
H1	BOLT		18 PCS
H2	FLAT WASHER		18 PCS
T1	ALLEN KEY		1 PCS